

## UP 焊针式标准品 (CD29L型)

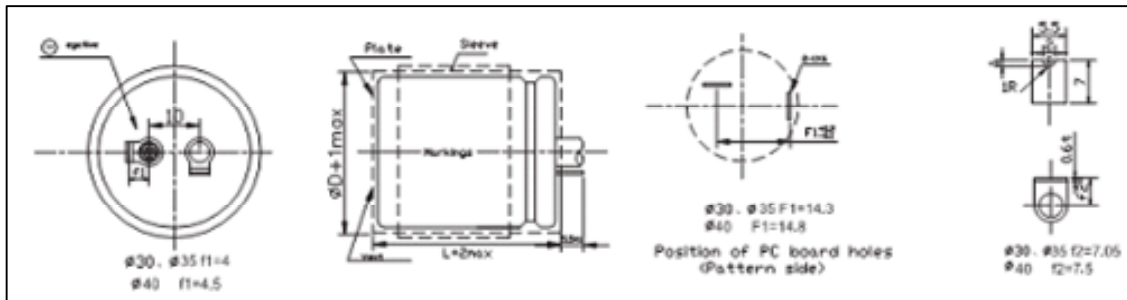
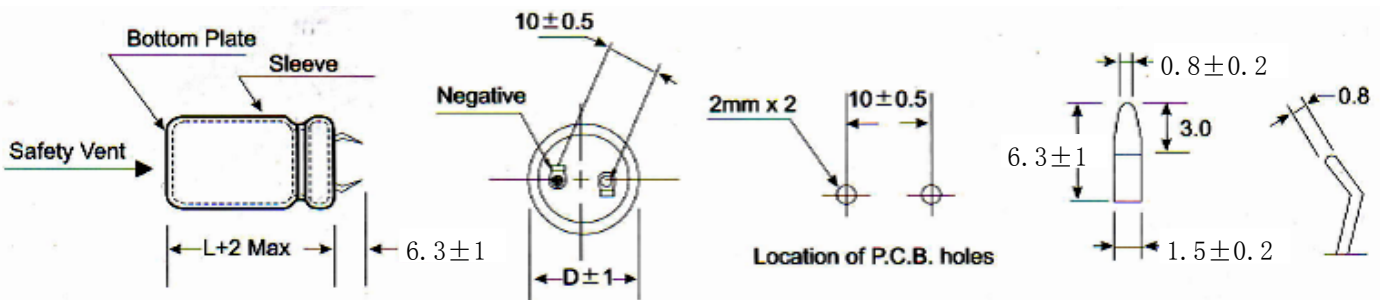


- 85°C, 2000~8000小时, 焊针引出, L型焊针  
Load life of 2000~8000hours at 85°C ,snap-in terminal, L lug
- 适用于空调等家用电器变频及工业变频用  
Used in air conditioner home appliance, general-purpose inverter

### Specifications

项目 Items	特性 Characteristics		
工作温度范围 Operating temperature range	-25~+85°C		
额定电压范围 Rated voltage range	160V~600V DC		
静电容量范围 Nominal Capacitance range	68 μ F~82000 μ F		
静电容量误差 Capacitance toletance	±20% (120Hz:20°C)		
漏电流 (20°C) leakage current(20°C)	$I \leq 3 \sqrt{CV}$ (μ A) after 5minute I: Leakage current C: Normnal capacitance V: Rated voltage		
损耗角正切 Dissipation factor (120Hz:20°C)	Less than the value under table (%)		
	Cap(uf)\Rated voltage(V)	160~250	400~600
	≤2700	18	20
	2700 - 3300	18	20
低温特性 Low temperature characteristics (Impedance ratio max. at 120Hz)	Rated voltage(v)	160~200	250~400   450~500
	Z-25°C/Z+20°C	3	4
	Z-40°C/Z+20°C	6	8   —
高温负荷特性 Load life	After applying rated for 2000~8000 hours at 85°C then resumed 16 hours:		
	Capacitance change	Within ±20% of the initial measured value	
	tgδ	≤200% of the initial specified value	
高温贮存特性 Shelf life	After storage for 1000 hours at 85°C then resumed 24 hours:		
	Capacitance change	Within ±20% of the initial measured value	
	tgδ	≤200% of the initial specified value	
	Leakage current	≤initial specified value	

### Diagram of Dimensions(mm)



### Multiplier for Ripple Current vs. Frequency:

Voitage(V)\Hz	50(60)	120	1K	10K	50-100K
≤50	0.95	1.00	1.10	1.15	1.15
63~100	0.95	1.00	1.16	1.30	1.33
≥160	0.95	1.00	1.20	1.50	1.55

### Multiplier for Ripple Current vs. Temperature:

Temperature°C	45	60	70	85
Factor	1.55	1.30	1.20	1.00

**UP** 焊针式标准品 (CD29L型)

## Standard Ratings

WV(Coad)		160V		200V		250V		350V	
C(uf)	Coad	φD×L	R. C.	φD×L	R. C.	φD×L	R. C.	φD×L	R. C.
120	121							22×30	0.82
150	151					22×30	0.8	22×30	1.14
								25×25	1.16
180	181					22×25	1.14	22×40	1.18
								25×30	1.30
220	221			22×25	1.13	22×30	1.10	22×40	1.40
								25×35	1.46
						25×25	1.10	30×25	1.47
270	271	22×25	1.11	22×30	1.21	22×30	1.20	22×45	1.62
								25×35	1.65
								30×30	1.71
330	331	22×25	1.21	22×30	1.42	22×40	1.40	22×50	1.78
				25×25	1.42	25×35	1.42	25×40	1.88
					30×25	1.50	30×35	1.93	
390	391	22×30	1.55	22×30	1.65	22×45	1.60	25×45	2.04
		25×25	1.55	25×25	1.63	25×35	1.60	30×35	2.12
							35×30	2.19	
470	471	22×35	1.62	22×40	1.82	22×50	1.80	30×40	2.41
		25×30	1.60	25×30	1.86	25×40	1.80		
		30×30	1.75			30×30	1.80		
560	561	22×35	1.90	22×40	2.08	25×45	2.02	30×45	2.60
		22×50	2.27	25×35	2.05	30×30	2.00		
		25×30	1.90	35×25	2.05	35×40	2.14		
680	681	22×40	2.10	22×40	2.26	30×40	2.30	35×50	2.75
		25×30	2.03	25×35	2.15	35×30	2.60		
		30×25	2.03	30×30	2.15				
820	821	22×50	2.50	22×50	2.43	25×50	2.60	35×60	2.80
		25×40	2.40	25×35	2.17	30×35	2.60		
		30×30	2.51	30×30	2.33	35×30	2.60		
1000	102	25×35	2.38	25×50	3.12	30×45	3.10		
		30×35	2.80	30×40	3.00	35×40	3.00		
		35×30	2.70	35×30	2.96				
1200	182	25×45	3.27	25×50	3.10	30×50	3.40		
		30×35	3.25	30×40	3.10	35×40	3.40		
		35×30	3.24	35×35	3.10				
1500	152	25×50	3.77	30×50	3.75	35×50	3.89		
		30×40	3.70	35×40	3.75				
1800	182	30×50	3.80	30×60	4.23	35×60	4.31		
		35×45	3.9						
2200	223	30×60	4.56	30×60	4.67				
		35×45	4.26						
2700	273	35×50	4.97	35×50	4.16				
3300	333			35×50	4.60				

Permit ripple current : (Arms, 85°C, 120HZ)

**UP** 焊针式标准品 (CD29L型)

## Standard Ratings

WV(Coad)		400V		450V		500V		600V	
C(uf)	Coad	φD×L	R. C.	φD×L	R. C.	φD×L	R. C.	φD×L	R. C.
56	560			22×30	0.55	22×30	0.57	25×30	0.65
68	680	22×25	0.55	22×30	0.57	25×30	0.60	25×35	0.69
82	820	22×25	0.65	25×35	0.68	25×30	0.65	25×40	0.75
100	101	25×25	0.70	22×35	0.72	30×30	0.98	30×35	1.12
				25×30	0.73	25×40	0.98	30×40	1.13
		22×30	0.70	30×40	0.92	22×50	0.98	25×50	1.13
120	121	22×30	0.75	22×40	0.80	30×30	1.00	35×30	1.15
		25×25	0.75	25×30	0.80	35×25	1.00	35×30	1.15
				30×25	0.80				
150	151	22×40	0.90	22×40	0.95	30×35	1.20	35×35	1.38
		25×25	0.89	25×35	0.95	35×30	1.20	35×40	1.38
		30×25	0.95	30×30	0.95				
180	181	22×45	1.00	22×50	1.10	30×40	1.40	30×45	1.61
		25×35	1.00	25×40	1.10	35×30	1.30	35×40	1.62
		30×30	1.10	30×35	1.10				
				35×25	1.20				
220	221	22×50	1.10	25×50	1.20	25×40	1.40	30×50	1.65
		25×40	1.20	30×40	1.30	30×40	1.45	35×45	1.66
		30×40	1.20	35×30	1.30	35×35	1.60		
270	271	25×45	1.30	25×50	1.40	30×50	1.80	30×55	2.07
		30×40	1.5	30×45	1.40	35×40	1.70	35×50	2.08
				35×35	1.50				
330	331	25×50	1.60	30×40	1.52	35×50	2.00	35×60	2.30
		30×40	1.60	35×40	1.64				
		35×30	1.60	35×45	1.68				
390	391	35×40	1.90	30×50	1.90	35×55	2.30	35×70	2.65
		35×45	1.92	35×45	1.90				
470	471	30×50	2.04	30×50	2.03	35×60	2.65		
		30×60	2.24	35×40	1.96				
		30×45	1.94	35×45	2.08				
		35×50	2.21	35×50	2.20				
560	561	30×60	2.33	35×50	2.40				
		35×50	2.30	35×60	2.62				
680	681	30×60	2.56	35×50	2.64				
		35×50	2.53	35×60	2.89				
820	821	35×60	3.04	35×70	3.41				

Permit ripple current : (Arms, 85°C, 120HZ)

Case size: φD×L (mm)